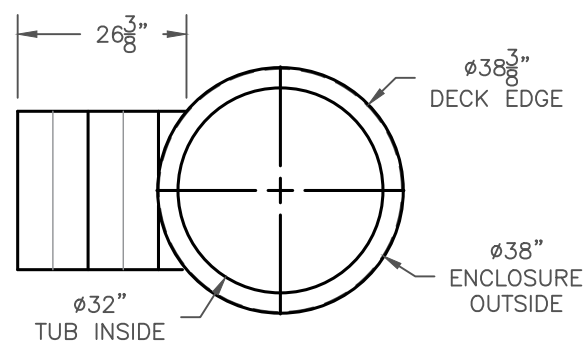
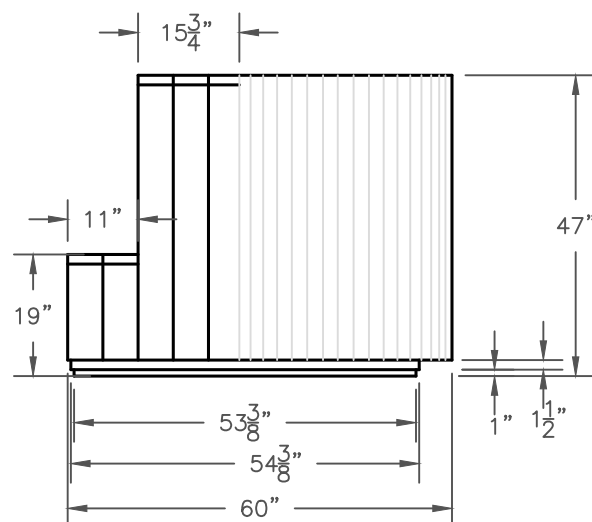


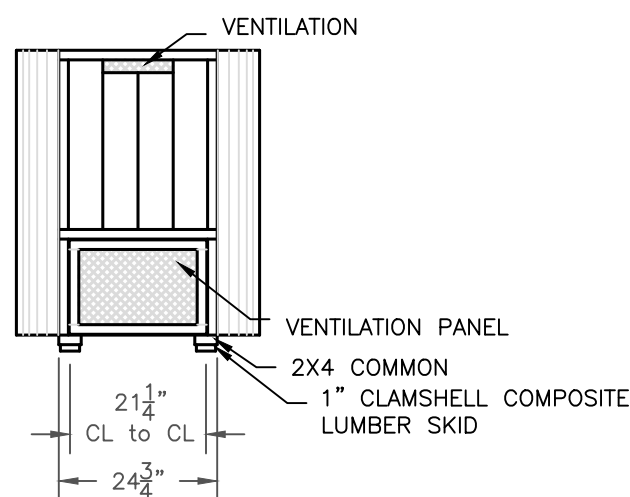
SETBACK VIEW



PLAN VIEW



STARBOARD VIEW



STERN VIEW

Setback and Clearance Notes

- 1 To facilitate service and filter changes, maintain a clearance of 28" from stern to nearest wall.
- 2 To maintain good air circulation for cooling, please maintain a minimum of 2" from the Starboard and Port sides to nearest wall.

Materials Data

Dry Weight: 435 lb
 Water Weight: 997 lb
 Wet Weight: 1432 lb
 Tub: 14GA 304 Stainless Steel
 Woodframe: Yukari FSC-Certified Rot-Resistant Red Grandis Hardwood
 Plywood: Aquatek Meranti Fir Water-Proof Marine Plywood
 Wood Sealer: Polyurea Coating

Electrical Data

Voltage: 115v 1ph
 Frequency: 60hz
 Amps: 12.5 amps
 GFCI Trip Current: 4-6mA

Mechanical Data

Compressor Power: 1/2 hp
 Refrigerant: R513A (ASHRAE safety class A1), Non-Flammable
 Plunges Time per Day: 90 minutes
 Ambient Operating Temperature: : 15°F - 120°F
 Water Temperature: 32°F - 70°F

Water Treatment

Total Water Volume: 120 gal
 Disinfection: O₃
 Atek AO3 + 50mg/hr
 Pump: Brushless DC DC80
 Flowrate: 8 GPM
 Turn over: 15 mins
 Filters 120 gal
 Filter: 50sf

DISCLAIMER:

THE MOROZKO IS DESIGNED TO SUPPORT A HEALTHY LIFESTYLE, NOT DIAGNOSE, CURE, OR PREVENT SPECIFIC DISEASES OR MEDICAL CONDITIONS. MOROZKO ICE BATHS ARE NOT MEDICAL DEVICES, AND HAVE NOT BEEN EVALUATED BY THE FDA. MOROZKO MAKES NO CLAIMS OR WARRANTIES WITH REGARD TO THE HEALTH EFFECTS OF COLD PLUNGE THERAPY OR USE OF MOROZKO PRODUCTS. SEEK MEDICAL ADVICE FROM YOUR PHYSICIAN BEFORE EMBARKING ON A PROGRAM OF DELIBERATE COLD EXPOSURE.

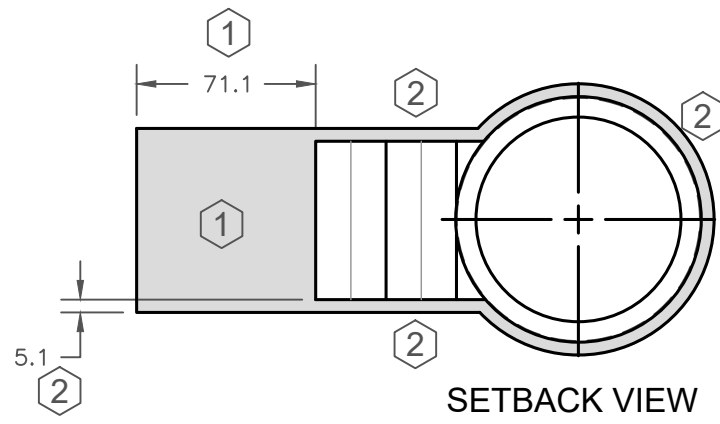
USA & CANADA (in)



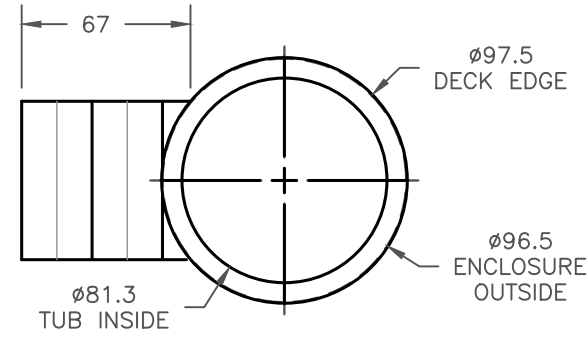
7150 W. Roosevelt Street
 Suite A161
 Phoenix, AZ 85043
 (602) 456-6338
 www.morozkoforge.com

TECHNICAL SPECIFICATIONS
 MBS

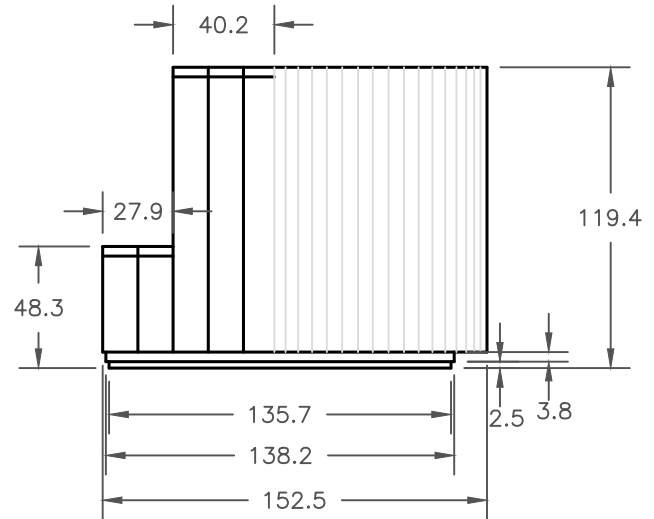
SCALE: 1:30 SHEET SIZE B



SETBACK VIEW



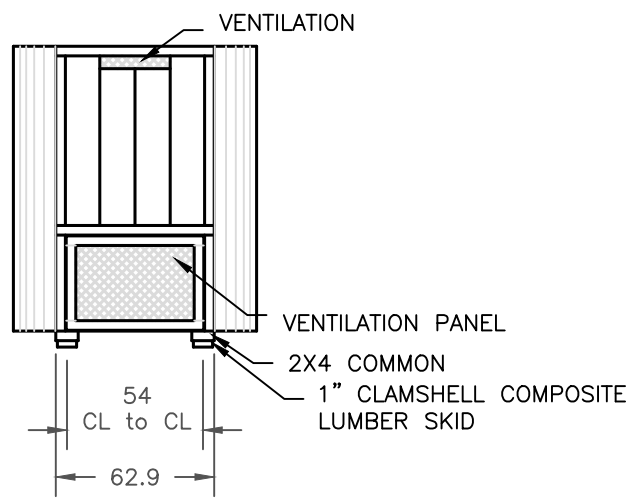
PLAN VIEW



STARBOARD VIEW

Setback and Clearance Notes

- 1 To facilitate service and filter changes, maintain a clearance of 71.1cm from stern to nearest wall.
- 2 To maintain good air circulation for cooling, please maintain a minimum of 5.1cm from the Starboard and Port sides to nearest wall.



STERN VIEW

Materials Data

- Dry Weight: 198 kg
- Water Weight: 452 kg
- Wet Weight: 650 kg
- Tub: 14GA 304 Stainless Steel
- Woodframe: Yukari FSC-Certified Rot-Resistant Red Grandis Hardwood
- Plywood: Aquatek Meranti Fir Water-Proof Marine Plywood
- Wood Sealer: Polyurea Coating

Electrical Data

- Voltage: 220V Single Phase
- Frequency: 60hz
- Amps: 7 amps
- GFCI Trip Current: 4-6mA

Mechanical Data

- Compressor Power: 1/2 hp
- Refrigerant: R513A (ASHRAE safety class A1), Non-Flammable
- Plunges Time per Day: 90 minutes
- Ambient Operating Temperature: : -9°C - 49°C
- Water Temperature: 0°C - 21°C

Water Treatment

- Total Water Volume: 454 L
- Disinfection: O₃
- Atek AO3 + 50mg/hr
- Pump: Brushless DC DC80
- Flowrate: 30 LPM
- Turn over: 15 mins
- Filters 454 L
- Filter: 50sf

DISCLAIMER:

THE MOROZKO IS DESIGNED TO SUPPORT A HEALTHY LIFESTYLE, NOT DIAGNOSE, CURE, OR PREVENT SPECIFIC DISEASES OR MEDICAL CONDITIONS. MOROZKO ICE BATHS ARE NOT MEDICAL DEVICES, AND HAVE NOT BEEN EVALUATED BY THE FDA. MOROZKO MAKES NO CLAIMS OR WARRANTIES WITH REGARD TO THE HEALTH EFFECTS OF COLD PLUNGE THERAPY OR USE OF MOROZKO PRODUCTS. SEEK MEDICAL ADVICE FROM YOUR PHYSICIAN BEFORE EMBARKING ON A PROGRAM OF DELIBERATE COLD EXPOSURE.

METRIC (cm)



7150 W. Roosevelt Street
Suite A161
Phoenix, AZ 85043
(602) 456-6338
www.morozkoforge.com

TECHNICAL SPECIFICATIONS	
MBS	
SCALE: 1:30	SHEET SIZE B